


pfmmedical

Quality and Experience

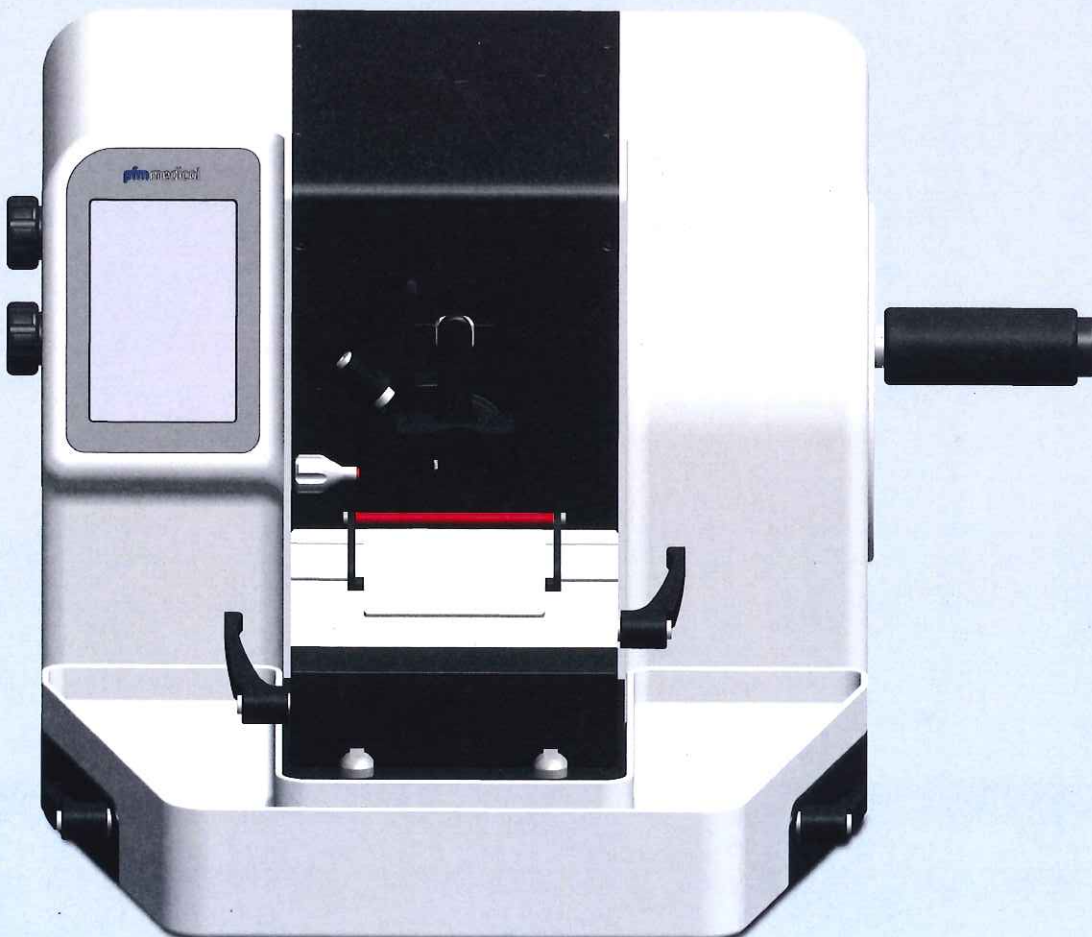
 Made in Germany

Rotary Microtome pfm Rotary 3005 E

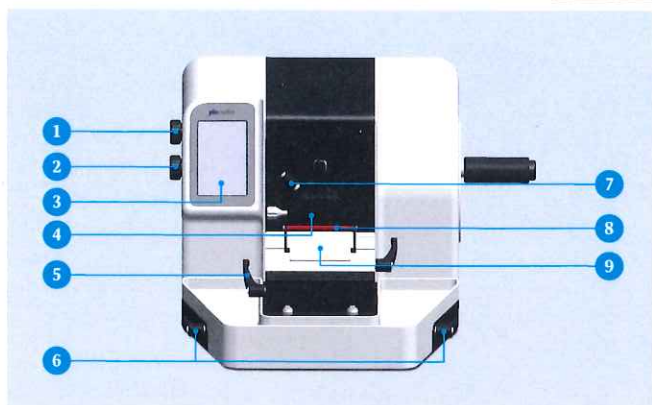
The pfm Rotary 3005 E is a modern, newly designed electronic rotary microtome for all paraffin work in routine practice, research and industry.

www.pfmmedical.com

NEW



Views



- | | |
|-------------------------------------------------|-----------------------------------------|
| 1 Control wheel | 6 Clamping levers for knife holder |
| 2 Control wheel coarse feed/trimming | 7 Clamping lever for object orientation |
| 3 Display | 8 Finger guard |
| 4 Universal cassette clamp | 9 Pressure plate |
| 5 Clamping lever for clearance angle adjustment | |



- | | |
|---------------------------------------------|--------------------------------------|
| 10 Knife holder | 14 Handwheel lock |
| 11 Section waste tray | 15 Clamping lever for pressure plate |
| 12 Adjustment screws for object orientation | 16 Knife angle scaling |
| 13 Handwheel | |

Details

- ▶ Ergonomic design
- ▶ Backlash- and maintenance-free horizontal and vertical cross-roller bearing system
- ▶ Smooth-running handwheel
- ▶ Handwheel locking system in each position
- ▶ Quick change system for object clamps
- ▶ Simple object orientation
- ▶ All electronic settings and functions are operated by a touch screen
- ▶ Retraction which can be turned off
- ▶ Memory function
- ▶ Section counter
- ▶ Finger guard
- ▶ Anodised surface, easy to clean

Technical Data

- ▶ **Section thickness:** 0.5 - 100 μm
 - ▶ **Setting range:** 0.5 - 10 μm in 0.5 μm steps/
10 - 20 μm in 1 μm steps/20 - 50 μm in 5 μm steps/
50 - 100 μm in 10 μm steps
- ▶ **Trimming mode:** 1 - 500 μm in 1 μm steps
- ▶ **Retraction:** 0 - 100 μm in 5 μm steps
- ▶ **Remaining feed indication 1 mm horizontal:** visible and audible
- ▶ **Horizontal range:** 30 mm
- ▶ **Vertical range:** 70 mm
- ▶ **Power supply:** 100/120/230/240 V AC, 50 - 60 Hz
- ▶ **Dimensions (W/D/H):** 450 x 530 x 275 mm
- ▶ **Weight:** 38 kg

Contact

Should you have any questions our Customer Solutions Team is happy to advise you.

service@pfmmmedical.com

T +49 (0)2236 9641-220

F +49 (0)2236 9641-51

www.pfmmmedical.com - Your information source for the products of pfm medical ag.

pfmmmedical

pfm medical ag
Wankelstraße 60
50996 Köln, Germany

Certified according to
DIN EN ISO 13485